



# HOUSFLOW CATALOG



# INDEX

## Housflow

|   |           |
|---|-----------|
| <b>CHDA Series - Sanitary Single-Round Liquid Filter Housings</b> | <b>1</b>  |
| <b>CHDB Series - Sanitary Multi-Round Liquid Filter Housings</b>  | <b>3</b>  |
| <b>CHDC Series - Sanitary In-Line Filter Housings</b>             | <b>7</b>  |
| <b>CHDD Series - Sanitary Gas Filter Housings</b>                 | <b>9</b>  |
| <b>CHDE Series - Sanitary Vent Filter Housings</b>                | <b>11</b> |
| <b>CHDH Series - Sanitary Depth-Stack Filter Housings</b>         | <b>13</b> |
| <b>CHDM Series - High Flow Filter Housings</b>                    | <b>17</b> |
| <b>CHDN Series - Bag Filter Housings</b>                          | <b>19</b> |
| <b>CHDSBC Series Multi-Cartridge Liquid Filter Housings</b>       | <b>22</b> |

# CHDA Series - Sanitary Single-Round Liquid Filter Housings



Sanitary Single-Round Liquid Filter Housings are designed to meet requirements for sanitary construction with smooth crevice-free welding and TC-type sanitary connections. Easy to clean and disassemble. Suitable for low flow rate applications with low-to-medium pressure conditions. This design is widely used in pharmaceutical, bio-technology, and food/beverage industries.

## Features

- Ultra-high degree of polishing: Internal:  $Ra \leq 0.3\mu m$ ; External:  $Ra \leq 0.4\mu m$
- Meets GMP standards with smooth crevice-free welding and sanitary design. Excellent cleanability & liquid drainage.
- Vent/Drain Port: The threaded sleeve is separated from stepped hose barb, so the connection tube will not rotate when venting or draining.
- A strengthened closure clamp allows a maximum operating pressure of 1.0MPa.
- With a small footprint and ease of disassembly, this series is ideally suited for use in the manufacture of pharmaceutical and food/beverage products.
- The heavy-duty housing legs have strengthened threads for stability and ruggedness. Adjustable nuts on the legs allow height adjustment for installation convenience.
- Suitable for Clean-in-Place and Steam-in Place processes.
- Compatible with cartridge connection for 222 and 226.
- Optional N6 drain port (sampling port).

## Surface Finish

Finish Processing Options: Electropolished  
 Mech. Polished

Polish Quality: Internal:  $Ra \leq 0.3\mu m$   
 External:  $Ra \leq 0.4\mu m$

## Materials

Shell Options: 304 or 316L Stainless Steel

Drain/Vent Port: 304, 316L

Tri-Clamp: 304

Stabilizer Blade: 304

Seal Materials: Silicone, FKM, EPDM

## Operating Conditions

Max. Operating Pressure: 1.0MPa (150psi)  
 Max. Operating Temperature: 140°C (284°F)

## Connection

Shell Connection: Tri-clamp

Inlet & Outlet (N1, N2): 1" Tri-clamp(T25)

Vent Port(N4): Sanitary hose barb valve fit with integrity test interface

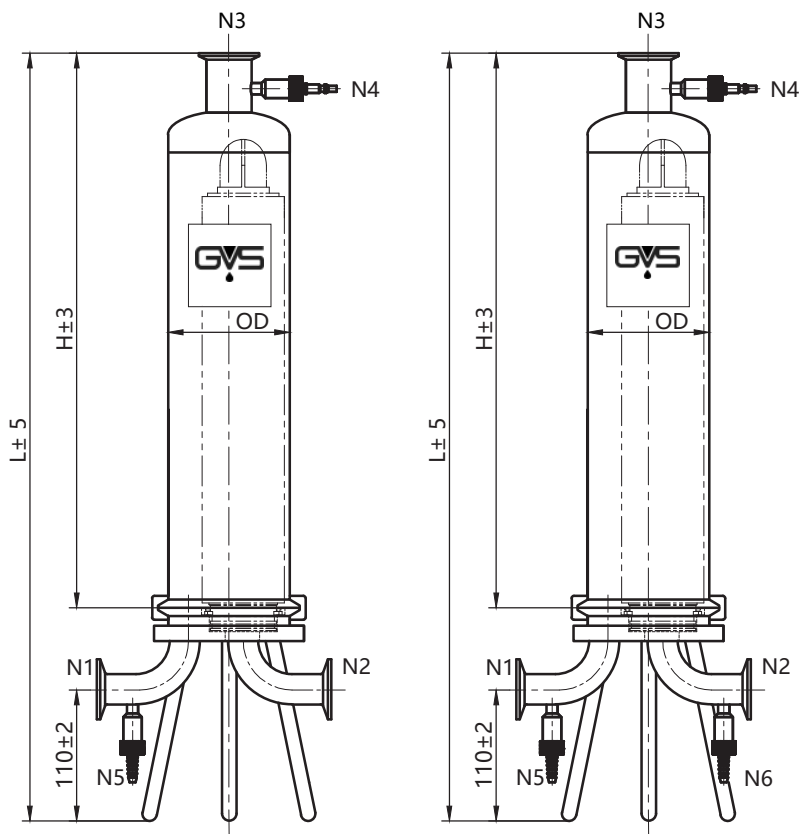
Drain Port (N5, N6): Sanitary hose barb valve for 8mm i.D. tubing

Pressure Gauge Port(N3): 1.5" Tri-clamp

## Applications

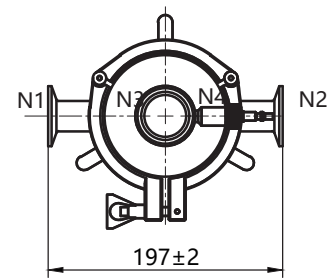
- Pharmaceuticals: filtration of injectables, LVPs, water for injection, antibiotics, and other biological products
- Food and beverage: filtration of beer, wine, distilled spirits, juices, syrups, and drinking water
- Petrochemical industry: filtration of oilfield water, organic solvents, acids, and alkaline fluids
- Microelectronics: pre-filtration of high-purity water

## Dimensions (mm)



**Type A (N6-free)**

**Type B**



| Housing height (mm) / Cartridge length | H   | L     |
|--|-----|-------|
| 5"                                     | 240 | 420   |
| 10"                                    | 370 | 550   |
| 20"                                    | 620 | 800   |
| 30"                                    | 870 | 1,050 |

**Eg.=>CHDAAQJ0105T25SEEY**

### ORDERING INFORMATION

| Series                                     | Connection                       | Shell Material  | Length                           | Seal Material        | Surface Finish (internal)             | Surface Finish (external)             |
|--|----------------------------------|-----------------|----------------------------------|----------------------|---------------------------------------|---------------------------------------|
| CHDAA=CHDA Series Filter Housings(N6-free) | Q = 226 / Fin<br>P = 222 / Fin   | J=304<br>K=316L | 05 = 5"<br>10 = 10"              | S=Silicone<br>E=EPDM | E=Electropolished<br>M=Mech. Polished | E=Electropolished<br>M=Mech. Polished |
| CHDAB=CHDA Series Filter Housings          | T = 226 / Flat<br>M = 222 / Flat |                 | 20 = 20"<br>30 = 30"<br>40 = 40" | V=FKM                |                                       |                                       |

# CHDB Series - Sanitary Multi-Round Liquid Filter Housings



Sanitary Multi-Round Liquid Filter Housings are designed to meet requirements for sanitary construction with smooth crevice-free welding and TC-type sanitary connections. Easy to clean and disassemble. Suitable for higher flow rate applications with low-to-medium pressure conditions. This design is widely used in pharmaceutical, bio-technology, and food/beverage industries. The internal surface can be finely polished down to  $Ra \leq 0.3\mu\text{m}$ .

## Features

- Ultra-high degree of polishing: Internal:  $Ra \leq 0.3\mu\text{m}$ ; External:  $Ra \leq 0.4\mu\text{m}$
- Meets GMP standards with smooth crevice-free welding and sanitary design. Excellent cleanability & liquid drainage.
- Vent port feature: Tri-clamp connection for convenience.
- A strengthened closure clamp allows a maximum operating pressure of 1.0MPa.
- The faceplate can be made detachable for full-surface cleaning.
- Suitable for CIP and SIP processes.
- Compatible with cartridge connection for 222 and 226.
- Optional N6 drain port (sampling port).

## Surface Finish

Finish Processing Options: Electropolished  
Mech. Polished

Polish Quality: Internal:  $Ra \leq 0.3\mu\text{m}$   
External:  $Ra \leq 0.4\mu\text{m}$

## Materials

Shell Options: 304 or 316L Stainless Steel

Drain/Vent Port: 304 or 316L

Tri-Clamp: 304

Stabilizer Blade: 304

Seal Materials: Silicone, FKM, EPDM

## Operating Conditions

Max. Operating Pressure: 1.0MPa (150psi)  
Max. Operating Temperature: 140°C (284°F)

## Connection

Shell Connection: Flange eyebolt

Inlet & Outlet (N1, N2): 1.5", 2", 2.5" Tri-clamp

Vent Port(N4): Sanitary hose barb valve fit with integrity test interface

Drain Port (N5, N6): Sanitary hose barb valve for 8mm i.D. tubing

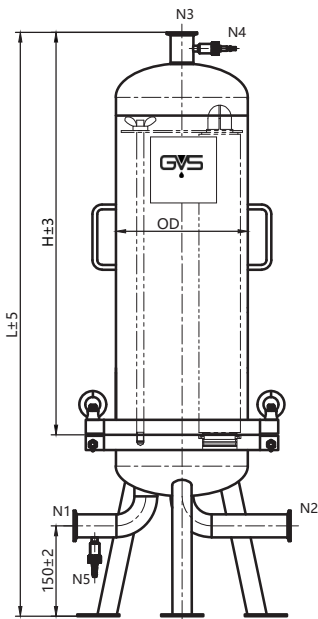
Pressure Gauge Port(N3): 1.5" Tri-clamp

## Applications

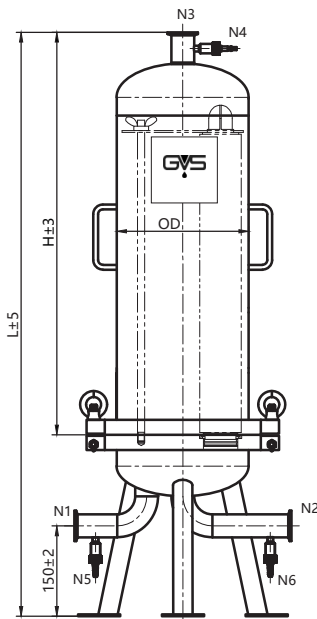
- Pharmaceuticals: filtration of injectables, LVPs, water for injection, antibiotics, and other biological products.
- Food and beverage: filtration of beer, wine, distilled spirits, juices, syrups, and drinking water.
- Petrochemical industry: filtration of oilfield water, organic solvents, acids, and alkaline fluids.
- Microelectronics: pre-filtration of high-purity water

# Dimensions (mm)

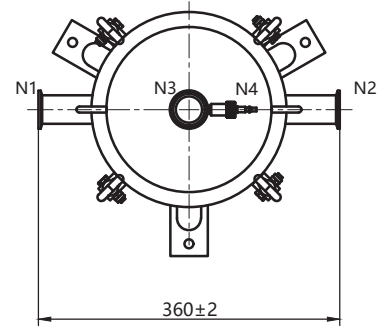
## 3-Round



Type A (N6-free)

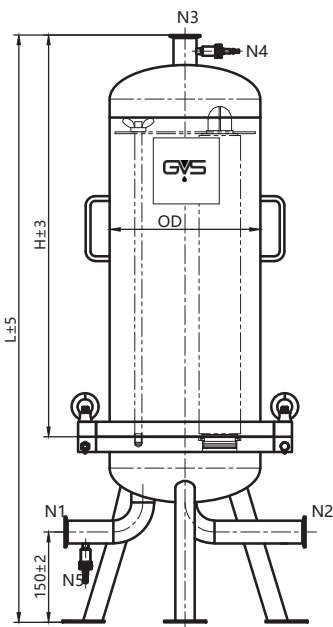


Type B

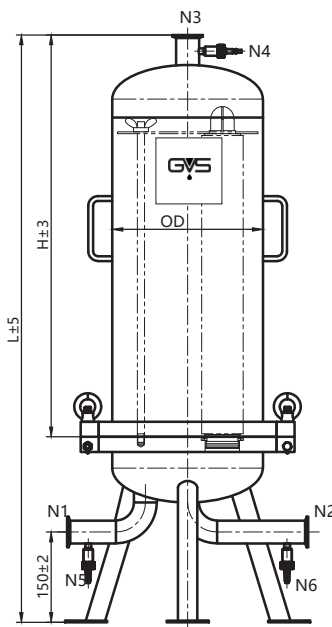


| Housing height (mm) / Cartridge length | H     | L     |
|--|-------|-------|
| 10"                                    | 418   | 720   |
| 20"                                    | 668   | 970   |
| 30"                                    | 918   | 1,220 |
| 40"                                    | 1,168 | 1,470 |

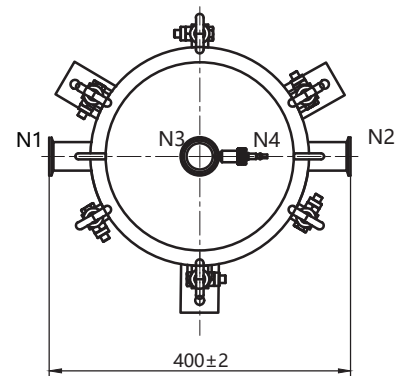
## 5-Round



Type A (N6-free)

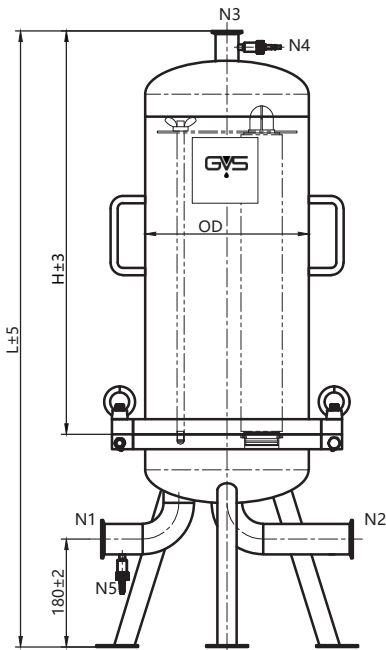


Type B

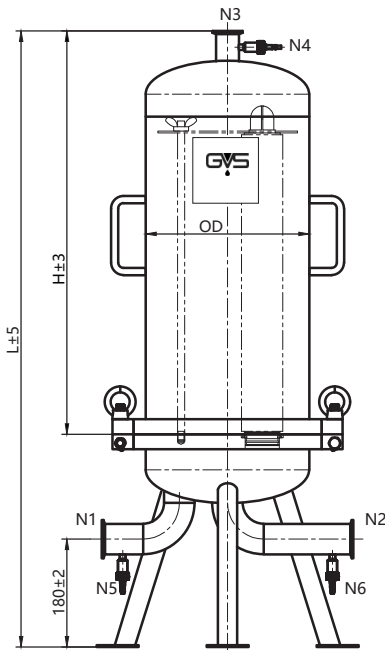


| Housing height (mm) / Cartridge length | H     | L     |
|--|-------|-------|
| 10"                                    | 417   | 725   |
| 20"                                    | 667   | 975   |
| 30"                                    | 917   | 1,225 |
| 40"                                    | 1,167 | 1,475 |

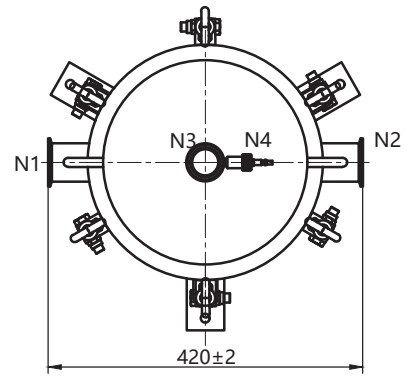
## 7-Round



Type A (N6-free)

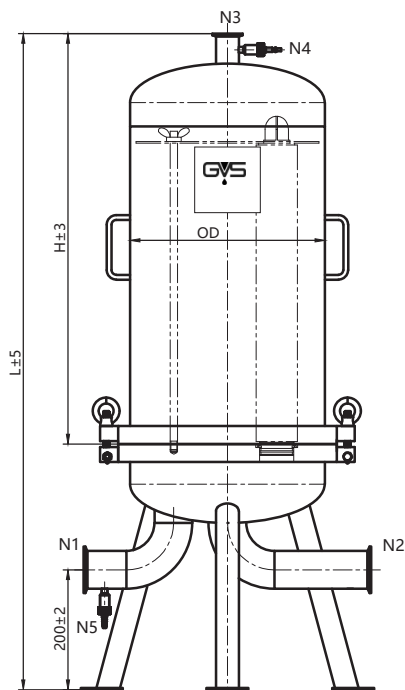


Type B

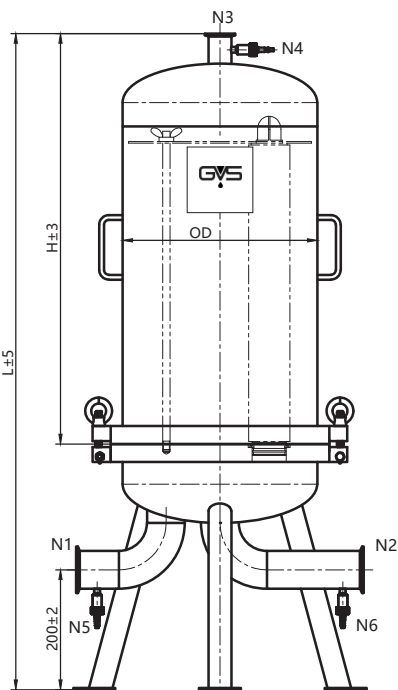


| Housing height (mm) | H     | L     |
|---------------------|-------|-------|
| Cartridge length    |       |       |
| 10"                 | 423   | 778   |
| 20"                 | 673   | 1,028 |
| 30"                 | 923   | 1,278 |
| 40"                 | 1,173 | 1,528 |

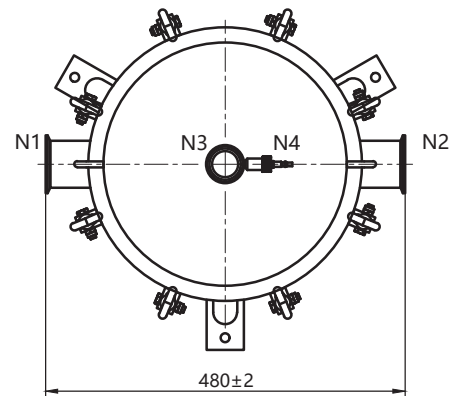
## 9-Round



Type A (N6-free)

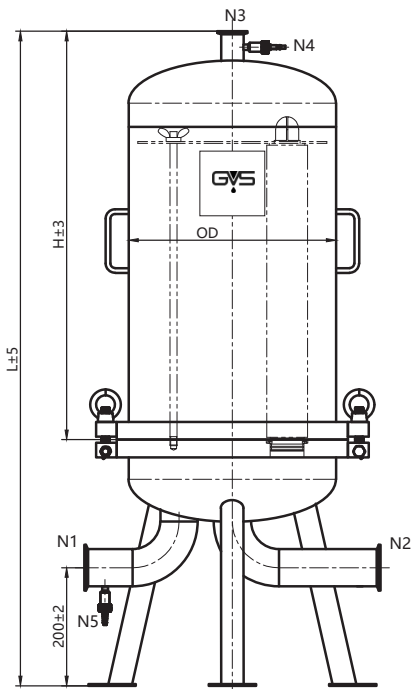


Type B

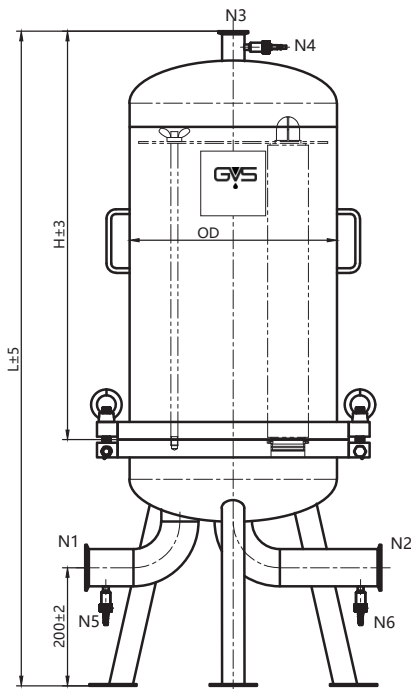


| Housing height (mm) | H     | L     |
|---------------------|-------|-------|
| Cartridge length    |       |       |
| 10"                 | 436   | 846   |
| 20"                 | 686   | 1,096 |
| 30"                 | 936   | 1,346 |
| 40"                 | 1,186 | 1,596 |

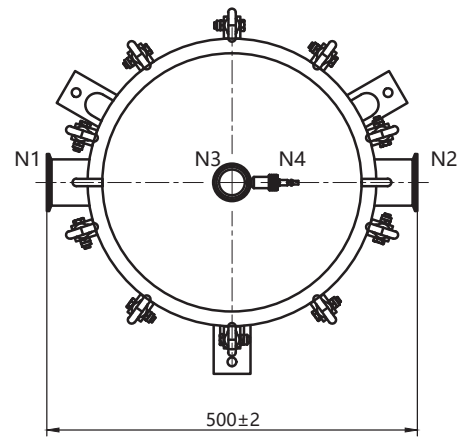
## 12-Round



Type A (N6-free)



Type B



| Housing height (mm)<br>Cartridge length | H     | L     |
|---|-------|-------|
| 10"                                     | 442   | 858   |
| 20"                                     | 692   | 1,108 |
| 30"                                     | 942   | 1,358 |
| 40"                                     | 1,192 | 1,608 |

Eg.=>CHDBAQJ0310T38SEEY

### ORDERING INFORMATION

| Series                                  | Connection                       | Shell Material  | Number Round                | Length               | Inlet&Outlet  | Seal Material        | Surface Finish (internal)             | Surface Finish (external)             |
|---|----------------------------------|-----------------|-----------------------------|----------------------|---|----------------------|---------------------------------------|---------------------------------------|
| CHDBA=B Series Filter Housings(N6-free) | Q = 226 / Fin<br>P = 222 / Fin   | J=304<br>K=316L | 03 = 3<br>05 = 5            | 10 = 10"<br>20 = 20" | T38=TC 1.5"(Only for 3 cartridges)  | S=Silicone<br>E=EPDM | E=Electropolished<br>M=Mech. Polished | E=Electropolished<br>M=Mech. Polished |
| CHDBB=B Series Filter Housings          | T = 226 / Flat<br>M = 222 / Flat |                 | 07 = 7<br>09 = 9<br>12 = 12 | 30 = 30"<br>40 = 40" | T50=TC 2"<br>( for 5, 7 cartridges)<br>T63=TC 2.5"( for 9, 12 cartridges) | V=FKM                |                                       |                                       |



# CHDC Series - Sanitary In-Line Filter Housings



Sanitary In-Line Filter Housings are the ideal choice when the application calls for a compact and cost-effective design. Suitable for filtration of liquids and gases. Uses a convenient clamp body closure and drain/vent ports.

## Features

- Ultra-high degree of polishing: Internal:  $Ra \leq 0.3\mu\text{m}$ ; External:  $Ra \leq 0.4\mu\text{m}$
- Meets GMP standards with smooth crevice-free welding and sanitary design.
- Excellent cleanability & liquid drainage.
- Vent/Drain Valve: the threaded sleeve is separated from stepped hose barb, so the connection tube will not rotate when venting or draining.
- A strengthened closure clamp allows a maximum operating pressure of 1.0MPa.
- Compatible with cartridge connection for 222 and 226.

## Surface Finish

Finish Processing Options: Electropolished  
Mech. Polished

Polish Quality: Internal:  $Ra \leq 0.3\mu\text{m}$   
External:  $Ra \leq 0.4\mu\text{m}$

## Materials

Shell Options: 304, 316L Stainless Steel

Drain/Vent Port: 304, 316L

Tri-Clamp: 304

Seal Materials: Silicone, FKM, EPDM

## Operating Conditions

Max. Operating Pressure: 1.0MPa (150psi)

Max. Operating Temperature: 140°C (284°F)

## Connection

Shell Connection: Tri-clamp

Inlet & Outlet (N1, N2): 1" Tri-clamp (T25)

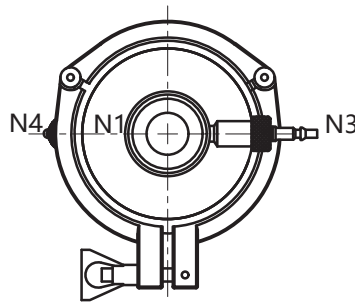
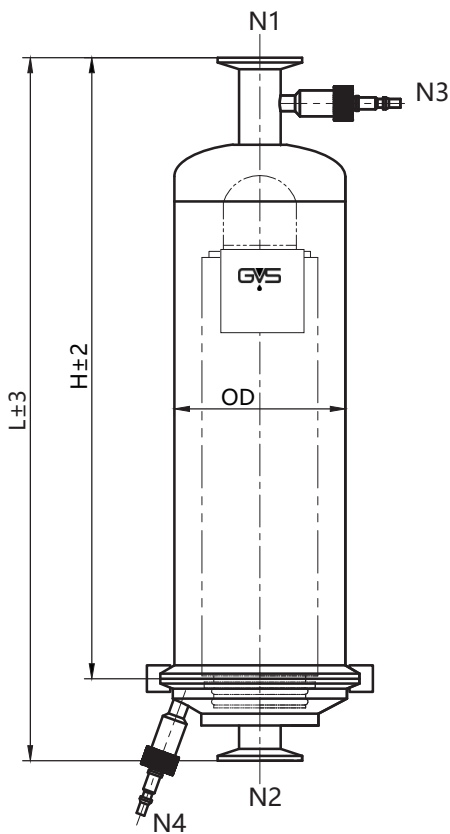
Vent Port (N3): Sanitary hose barb valve fit with integrity test interface

Drain Port (N4): Sanitary hose barb valve for 8mm i.D. tubing

## Applications

- Particle filtration of pipeline liquids.
- In-line gas filtration or as a respirator.
- Filtration of beverages, edible oils, etc.

## Dimensions (mm)



| Housing length (mm)<br>Cartridge length | <b>H</b> | <b>L</b> |
|---|----------|----------|
| 5"                                      | 238      | 288      |
| 10"                                     | 368      | 418      |
| 20"                                     | 618      | 668      |
| 30"                                     | 868      | 918      |
| 40"                                     | 1,118    | 1,168    |

Eg.=>CHDCQJ0105T25SEEY

### ORDERING INFORMATION

| Series         | Connection     | Shell Material | Length   | Seal Material | Surface Finish (internal) | Surface Finish (external) |
|----------------|----------------|----------------|----------|---------------|---------------------------|---------------------------|
| CHDC=Sanitary  | Q = 226 / Fin  | J=304          | 05 = 5"  | S=Silicone    | E=Electropolished         | E=Electropolished         |
| In-Line        | P = 222 / Fin  | K=316L         | 10 = 10" | E=EPDM        | M=Mech. Polished          | M=Mech. Polished          |
| Filter Housing | T = 226 / Flat |                | 20 = 20" | V=FKM         |                           |                           |
|                | M = 222 / Flat |                | 30 = 30" |               |                           |                           |
|                |                |                | 40 = 40" |               |                           |                           |

# CHDD Series - Sanitary Gas Filter Housings



Sanitary Gas Filter Housings are suitable for removal of particulate from gas streams. When used with appropriate sterilizing-grade filter cartridges, the combination can be used in high-purity sterile gas filtration.

## Features

- Ultra-fine polishing: Internal:  $Ra \leq 0.3\mu m$ ; External:  $Ra \leq 0.4\mu m$
- Accepts 226-style cartridges with locking tabs to assure safe and secure sealing performance.
- The Tri-Clamp body connection allows easy servicing and cartridge change-out.
- Compatible with cartridge connection for 222 and 226, the housing is applied in high-purity, high-temperature, aseptic, fermentation, etc.

## Surface Finish

Finish Processing Options: Electropolished  
Mech. Polished

Polish Quality: Internal:  $Ra \leq 0.3\mu m$   
External:  $Ra \leq 0.4\mu m$

## Materials

Shell Options: 304 or 316L Stainless Steel  
Drain Port: 304 or 316L  
Tri-clamp: 304  
Stabilizer Blade: 304  
Seal Materials: Silicone, FKM, EPDM

## Operating Conditions

Max. Operating Pressure: 0.6MPa (90psi, Tri-clamp)  
Max. Operating Temperature: 1.0MPa (150psi, Flange) 140°C (284°F)

## Connection

Shell Connection: Tri-clamp or Flange  
Inlet & Outlet (N1, N2): 1", 1.5" Tri-clamp or DN25/ DN50 Flange (PL-RF, HG/ T20592-2009 PN16)  
Pressure Gauge Port (N3): M14\*1.5 Thread  
Drain Port (N4): FNPT 1/4" Thread

## Applications

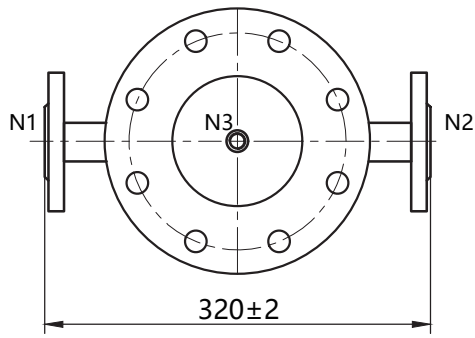
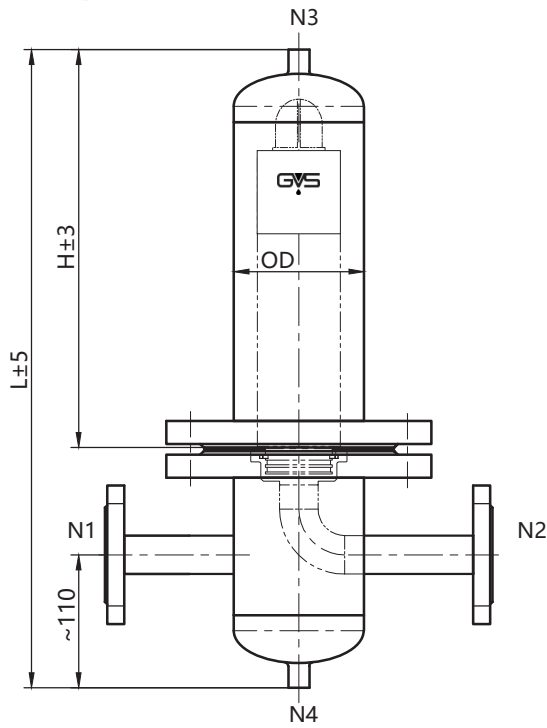
- Pharmaceuticals: gas sterilization and air/gas filtration in the production of biological products
- Food and beverage: gas sterilization and air/gas filtration in the production of food, beverages, and fermented products
- Chemical industry: filtration of industrial gases such as coal gas, hydrogen, nitrogen, and natural gas, among others
- Laboratory: environmental air filtration

Eg. => CHDDQJ0110T25SEEY

| ORDERING INFORMATION |                |                |          |                 |               |                           |                           |
|----------------------|----------------|----------------|----------|-----------------|---------------|---------------------------|---------------------------|
| Series               | Connection     | Shell Material | Length   | Inlet&Outlet    | Seal Material | Surface Finish (internal) | Surface Finish (external) |
| CHDD=Sanitary        | Q = 226 / Fin  | J=304          | 05= 5"   | T25=TC 1"       | S=Silicone    | E=Electropolished         | E=Electropolished         |
| Gas Filter Housing   | P = 222 / Fin  | K=316L         | 10 = 10" | T38=TC1.5"      | E=EPDM        | M=Mech. Polished          | M=Mech. Polished          |
|                      | T = 226 / Flat |                | 20 = 20" | F25=Flange DN25 | V=FKM         |                           |                           |
|                      | M = 222 / Flat |                | 30 = 30" | F50=Flange DN50 |               |                           |                           |
|                      |                |                | 40 = 40" |                 |               |                           |                           |

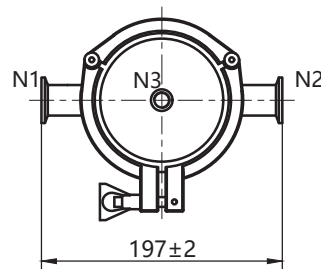
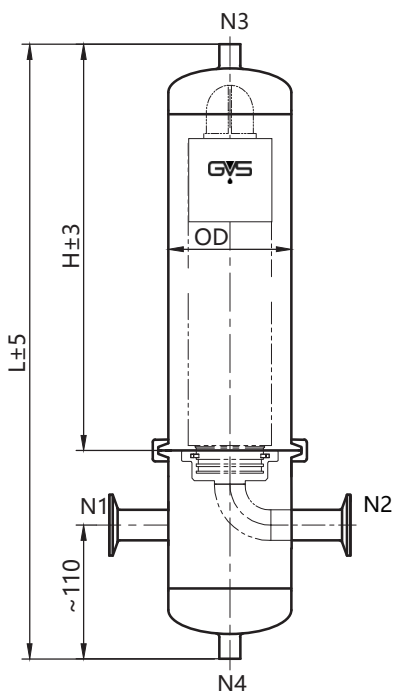
# Dimensions (mm)

## Flange Type



| Housing height (mm)<br>Cartridge length | H     | L     |
|---|-------|-------|
| 5"                                      | 210   | 410   |
| 10"                                     | 340   | 540   |
| 20"                                     | 590   | 790   |
| 30"                                     | 840   | 1,040 |
| 40"                                     | 1,090 | 1,290 |

## Tri-clamp Type



| Housing height (mm)<br>Cartridge length | H     | L     |
|---|-------|-------|
| 5"                                      | 208   | 380   |
| 10"                                     | 338   | 510   |
| 20"                                     | 588   | 760   |
| 30"                                     | 838   | 1,010 |
| 40"                                     | 1,088 | 1,260 |

# CHDE Series - Sanitary Vent Filter Housings



Sanitary Vent Filter Housings are comply with sanitary vessel design requirements. Suitable for gas sterilization filtration in the pharmaceutical and food industries. The top elbow is intended to prevent large particles and debris from entering the housing.

## Features

- Ultra-fine polishing: Internal:  $Ra \leq 0.3\mu m$ , External:  $Ra \leq 0.4\mu m$
- Complies with GMP standards.
- Excellent cleanability.
- Design prevents accumulation of liquid.
- Top elbow prevents external particles and debris from entering the housing.
- The vent filter housings are available in single-opening A and top elbow B model, compatible with cartridge connection for 222 and 226.

## Surface Finish

Finish Processing Options: Electropolished  
Mech. Polished

Polish Quality: Internal:  $Ra \leq 0.3\mu m$   
External:  $Ra \leq 0.4\mu m$

## Materials

Shell Options: 304 or 316L Stainless Steel

Clamp: 304 Stainless Steel

Seal Materials: Silicone, FKM, EPDM

## Operating Conditions

Max. Operating Pressure: 1.0MPa(10bar/150psi)  
Max.Operating Temperature: 140°C (284 °F )

## Connection

Shell Connection: Clamp  
Outlet&Inlet (N1, N2): Tri-clamp 1"(T25)

## Applications

- Allows sterile filtration of vented gas flow in the production and storage of:
  - Pharmaceutical and bio-technology products
  - Fermentation process products
  - Food, beverages, potable water

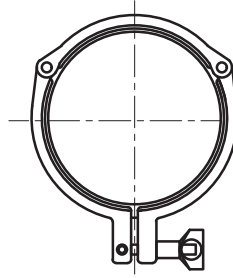
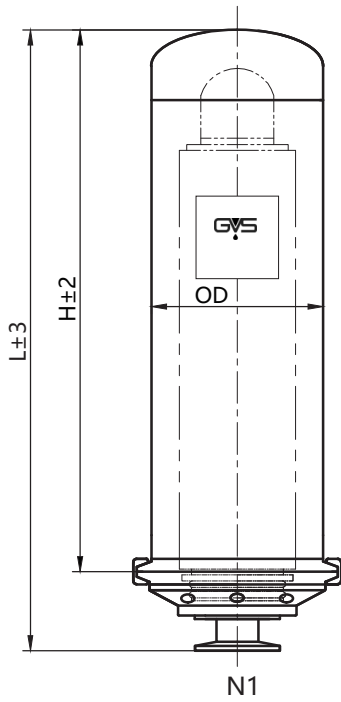
Eg.=>CHDEAQJ0110T25SEEY

### ORDERING INFORMATION

| Series                             | Connection     | Shell Material | Length   | Seal Material | Surface Finish (internal) | Surface Finish (external) |
|------------------------------------|----------------|----------------|----------|---------------|---------------------------|---------------------------|
| CHDEA = Vent Filter Housing Type A | Q = 226 / Fin  | J=304          | 05 = 5"  | S=Silicone    | E=Electropolished         | E=Electropolished         |
| CHDEB = Vent Filter Housing Type B | P = 222 / Fin  | K=316L         | 10 = 10" | E=EPDM        | M=Mech. Polished          | M=Mech. Polished          |
|                                    | T = 226 / Flat |                | 20 = 20" | V=FKM         |                           |                           |
|                                    | M = 222 / Flat |                | 30 = 30" |               |                           |                           |
|                                    |                |                | 40 = 40" |               |                           |                           |

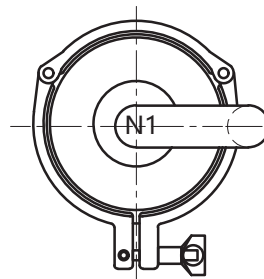
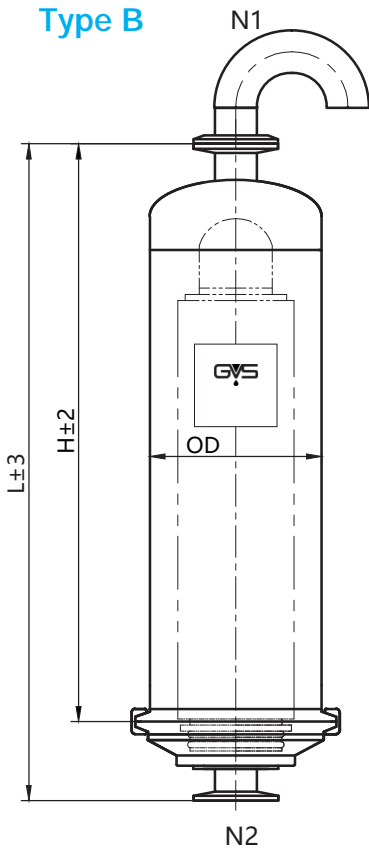
# Dimensions (mm)

## Type A



| Housing height (mm)<br>Cartridge length | H     | L     |
|---|-------|-------|
| 5"                                      | 210   | 260   |
| 10"                                     | 340   | 390   |
| 20"                                     | 590   | 640   |
| 30"                                     | 840   | 890   |
| 40"                                     | 1,090 | 1,140 |

## Type B



| Housing height (mm)<br>Cartridge length | H     | L     |
|---|-------|-------|
| 5"                                      | 188   | 238   |
| 10"                                     | 318   | 368   |
| 20"                                     | 568   | 618   |
| 30"                                     | 818   | 868   |
| 40"                                     | 1,068 | 1,118 |

# CHDH Series - Sanitary Depth-Stack Filter Housings



Sanitary Depth-Stack Filter Housings are a new type of depth-stack filter housing. Designed to meet requirements for sanitary construction with smooth crevice-free welding and TC-type sanitary connections. Easy to clean and disassemble. The co-linear inlet and outlet flow paths beneath the vessel shell serve to minimize liquid turbulence. Available for 8", 12" and 16" diameter cartridges up to four high modules to meet high flow rates requirements.

## Features

- Ultra-high degree of polishing: Internal:  $Ra \leq 0.3\mu m$ ; External:  $Ra \leq 0.4\mu m$
- Liquid turbulence is minimized with co-linear inlet-outlet porting beneath the housing shell.
- Specially designed drain valves can optionally be installed on the inlet and outlet ports for easy liquid drainage.
- Allows vertical stacking of up to four depth-stack cartridges and provides high flow rates at high retention efficiency.
- Segmented cartridge design makes it more convenient to replace depth-stack cartridges and helps to reduce liquid loss.
- The housing is fitted with DOE and stack with support plates part or handle, 3 modules for 8" and 4 modules for 12" and 16".
- Optional N6 drain port (Sampling port).

## Surface Finish

|                            |  |
|----------------------------|--|
| Finish Processing Options: | Electropolished<br>Mech. Polished                            |
| Polish Quality:            | Internal: $Ra \leq 0.3\mu m$<br>External: $Ra \leq 0.4\mu m$ |

## Materials

|                 |                             |
|-----------------|-----------------------------|
| Shell Options:  | 304 or 316L Stainless Steel |
| Vent Port:      | 304 or 316L                 |
| Eyebolts:       | 304                         |
| Legs:           | 304                         |
| Seal Materials: | Silicone, FKM, EPDM         |

## Applications

- Pharmaceuticals: filtration of injectables, LVPs, water for injection, and other biological products
- Food and beverage: filtration of beer, wine, and distilled spirits, juices, syrups, and edible oils
- Chemical industry: filtration of grease and dirt, sludge, and gelatinous materials

## Operating Conditions

|                             |                      |
|-----------------------------|----------------------|
| Max. Operating Pressure:    | 1.0MPa (10bar150psi) |
| Max. Operating Temperature: | 80°C (176°F)         |

## Connection

|                         |  |
|-------------------------|--|
| Shell Connection:       | Eyebolt  |
| Inlet & Outlet (N1,N2): | Tri-clamp  |
| Vent Port(N4):          | Sanitary hose barb valve fit with integrity test interface |
| Drain Port (N5, N6):    | Sanitary hose barb valve for 8mm i.D. tubing               |
| Pressure Gauge (N3):    | 1.5" TC  |

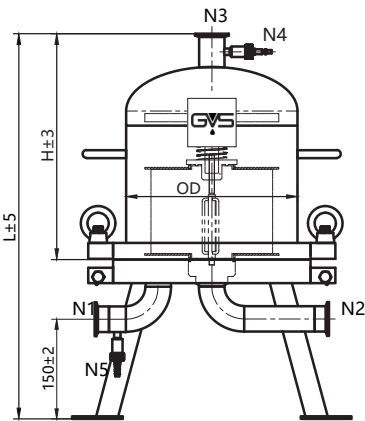
## Cartridge Sealing System

A spring-loaded sealing system provides optimal sealing compression to help prevent filter bypass even under the most arduous process conditions.

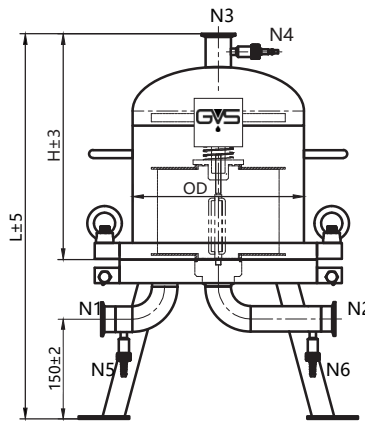


## Dimensions (mm)

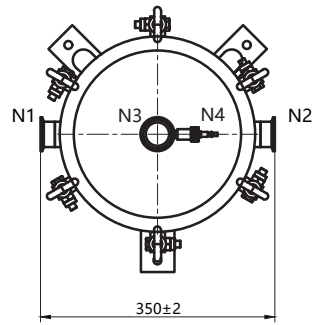
8"



Type A (N6-free)



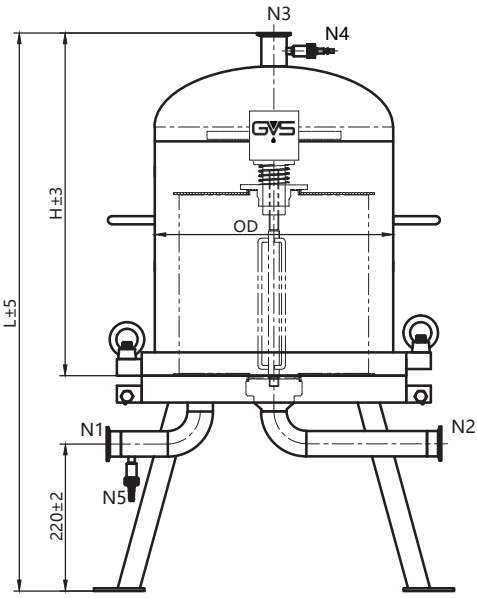
Type B



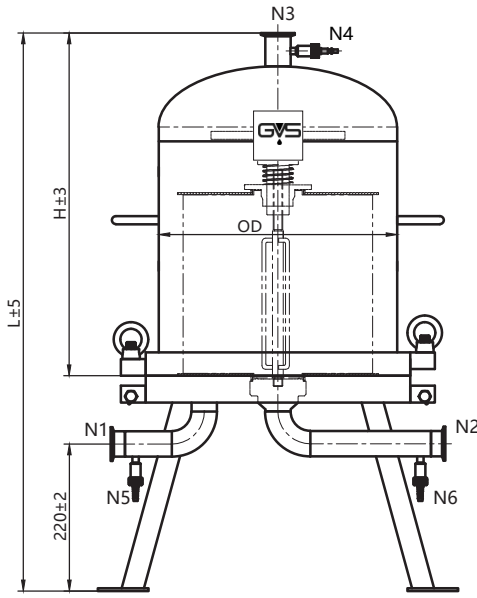
| Housing height (mm)<br>Cells | H   | L   |
|------------------------------|-----|-----|
| 8                            | 337 | 572 |
| 16                           | 477 | 712 |
| 24                           | 617 | 852 |



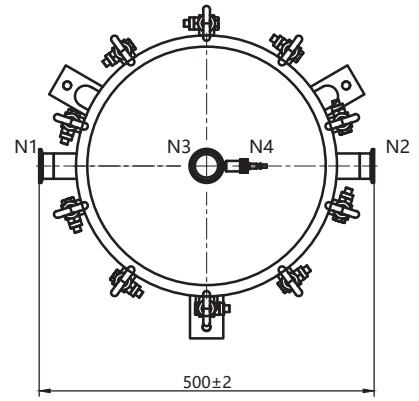
# 12"



Type A (N6-free)

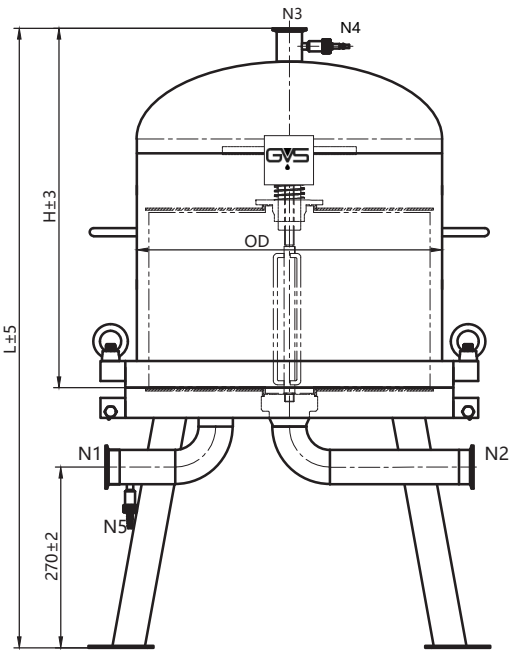


Type B

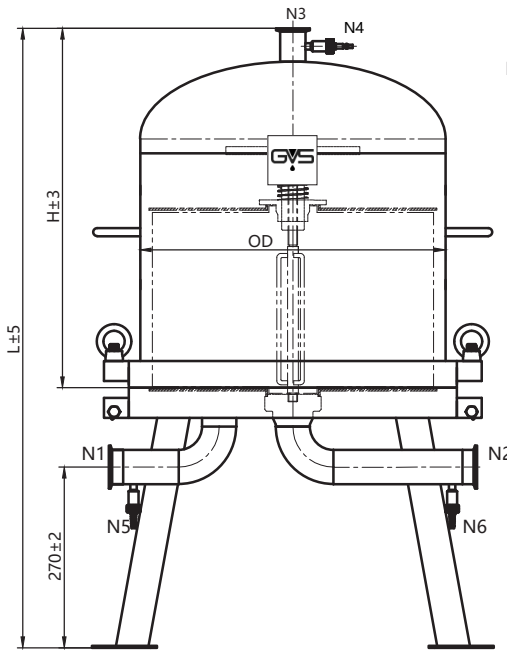


| Housing height (mm) \ Cells | H     | L     |
|-----------------------------|-------|-------|
| 16                          | 512   | 825   |
| 32                          | 792   | 1,105 |
| 48                          | 1,072 | 1,385 |
| 64                          | 1,352 | 1,665 |

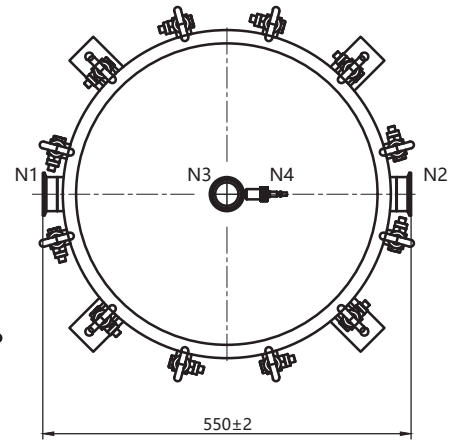
# 16"



Type A (N6-free)



Type B



| Housing height (mm) \ Cells | H     | L     |
|-----------------------------|-------|-------|
| 16                          | 537   | 915   |
| 32                          | 817   | 1,195 |
| 48                          | 1,097 | 1,475 |
| 64                          | 1,377 | 1,755 |

Eg.=>CHDHAFJ0801T38SEEY

| ORDERING INFORMATION                      |                 |                    |   |                        |                      |                                       |                                       |
|---|-----------------|--------------------|---|------------------------|----------------------|---------------------------------------|---------------------------------------|
| Series                                    | Shell Material  | OD                 | Cells   | Inlet&Outlet           | Seal Material        | Surface Finish (internal)             | Surface Finish (external)             |
| CHDHA = H Series Filter Housings(N6-free) | J=304<br>K=316L | 08= 8"<br>12 = 12" | 01= 8(8")<br>05= 16   | T38=TC1.5"/ for 8",12" | S=Silicone<br>E=EPDM | E=Electropolished<br>M=Mech. Polished | E=Electropolished<br>M=Mech. Polished |
| CHDHB = H Series Filter Housings          |                 | 16 = 16"           | 07 = 24(8")<br>10 = 32(12",16")<br>13 = 48(12",16")<br>15 = 64(12",16") | T50=TC2"/ for 16"      | V=FKM                |                                       |                                       |



# CHDM Series - High Flow Filter Housings



CHDM Series - High Flow vertical Filter Housings are designed to accommodate GVS HF series High Flow filter cartridges intended for use primarily for higher fluid flow applications, especially in water treatment. Housings are available in a range of sizes accommodating from 1 to 5 cartridges in lengths of 40". Constructed of high quality 304 or 316L stainless steel suitable for use in high temperatures, with tolerance to acids, alkalis, and organic chemicals. The vertical option minimizes the system's footprint. Customized configurations are available to suit customers' specific needs.

## Features

- Using quality stainless steel components to build all housings, ensures consistent quality and performance.
- Large cartridge size with expansive filtration area provides for high-volume liquid filtration at high retention efficiency with a low initial investment.
- Housings are manufactured with crevice-free internals, fine polishing inside to ensure surface smoothness. Preferable for potable water and food/beverage production

## Surface Finish

Finish Processing Options: Internal: Mech Polished / Passivated  
 Exernal: Mech Polished / Passivated / Abrasive Blasted

## Operating Conditions

Max. Operating Pressure: 1.0MPa (150psi)  
 Max. Operating Temperature: 80°C (176°F)

## Materials

Shell Options: 304 or 316L  
 Vent Port: 304 or 316L  
 Eyebolts: 304  
 Legs: 304  
 Seal Materials: Silicone, FKM, EPDM

## Connection

| Num | Name                      | Specification | Connection | Note                |
|-----|---------------------------|---------------|------------|---------------------|
| N1  | Inlet                     | pl-rf         | Flange     | HG/T20592-2009 PN16 |
| N2  | Outlet                    | pl-rf         | Flange     | HG/T20592-2009 PN16 |
| N3  | Vent                      | FNPT1/4"      | Thread     | -                   |
| N4  | Pressure Gauge Connection | M14*1.5       | Thread     | -                   |
| N5  | Outlet                    | FNPT1/4"      | Thread     | -                   |

## Applications

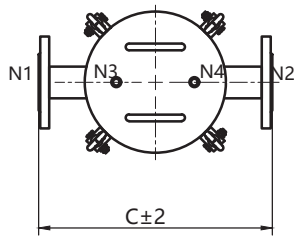
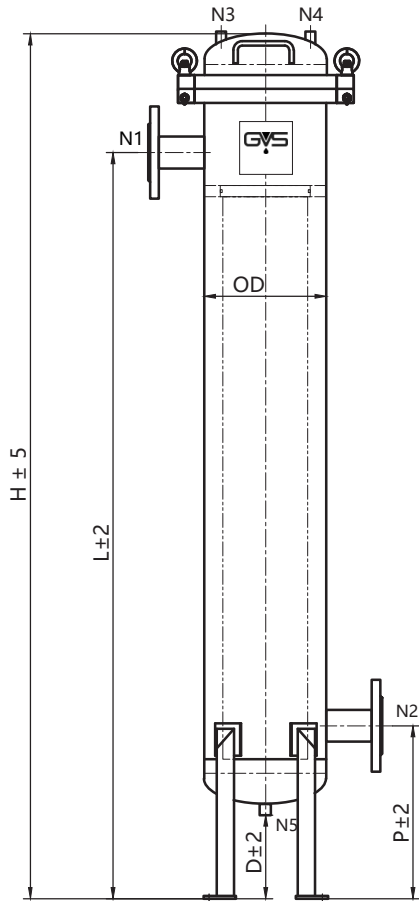
- Pre-filtration of RO systems; Bottled water production
- Filtration of process water, condensate water, cooling water, waste water
- Chemical industry filtration of acids, alkaline liquids, organic solvents
- Energy industry condensate & cooling waters
- Food and beverage: filtration of drinks, beverages and drinking water

Eg.=>CHDMHJ0140F50SEEEY

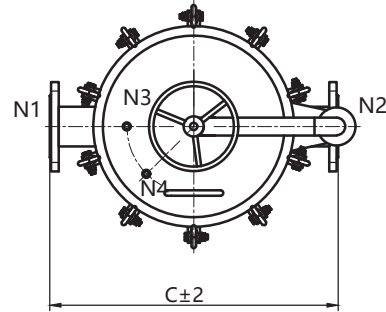
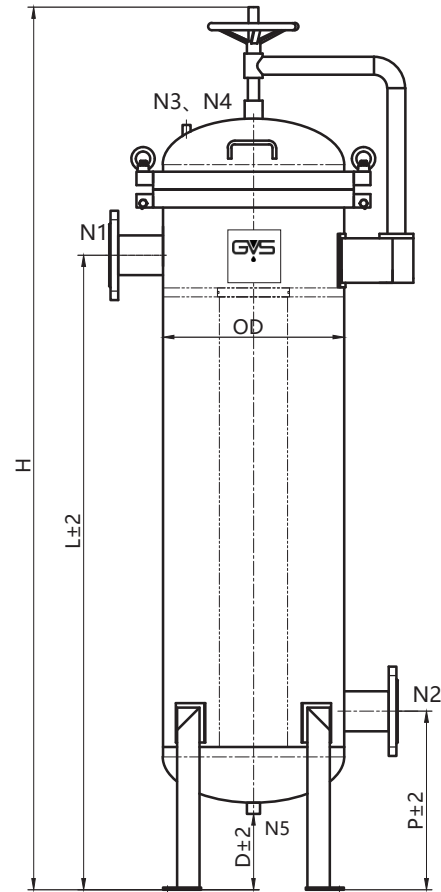
### ORDERING INFORMATION

| Series                         | Connection              | Shell Material  | Number Round | Length   | Inlet&Outlet                | Seal Material        | Surface Finish (internal)             | Surface Finish (external)             |
|--------------------------------|-------------------------|-----------------|--------------|----------|-----------------------------|----------------------|---------------------------------------|---------------------------------------|
| CHDM=High Flow Filter Housings | HF=HF Series Cartridges | J=304<br>K=316L | 01 = 1       | 20 = 20" | F50=DN50/(for Single-round) | S=Silicone<br>E=EPDM | E=Electropolished<br>M=Mech. Polished | E=Electropolished<br>M=Mech. Polished |
|                                |                         |                 | 02 = 2       | 40 = 40" | F80=DN80/(for 2-round)      | V=FKM                |                                       |                                       |
|                                |                         |                 | 03 = 3       | 60 = 60" | F100=DN100/(for 3-round)    |                      |                                       |                                       |
|                                |                         |                 | 04 = 4       |          | F125=DN125/(for 4/5-round)  |                      |                                       |                                       |
|                                |                         |                 | 05 = 5       |          |                             |                      |                                       |                                       |

## Single-round 40"



## Multi-round 40"



| Cartridges (mm) | H    | L    | P   | N     | C   | D   | OD   |
|-----------------|------|------|-----|-------|-----|-----|------|
| 1               | 1550 | 1340 | 310 | DN50  | 420 | 150 | ø219 |
| 2               | 1980 | 1420 | 400 | DN80  | 645 | 170 | ø406 |
| 3               | 2030 | 1440 | 420 | DN100 | 695 | 170 | ø456 |
| 4               | 2090 | 1470 | 450 | DN125 | 750 | 170 | ø508 |
| 5               | 2120 | 1480 | 460 | DN125 | 800 | 170 | ø558 |

# CHDN Series - Bag Filter Housings



CHDN Series - Bag Filter Housings from GVS Filtration are offered in a range of sizes and port options to meet your needs for liquid filtration. The housings are fabricated using best-practice, industry leading production methods to deliver high quality and best value. These are an excellent choice for liquid filtration covering a wide range of applications: food and beverage, fine chemicals, process fluids. The single-bag and multi-bag housings can be customized depending on the user's specific needs.

## Features

- Using quality stainless steel components to build all housings, ensures consistent quality and performance.
- The three-point clamping closure ensures excellent sealing performance.
- The swingbolt closure with eyebolts allows for easy handling and servicing.
- Strengthened filter baskets provide more robust construction and longer service life.
- Housings are manufactured with crevice-free internals, fine polishing inside to ensure surface smoothness.
- Preferable for potable water and food/beverage production.
- Compatible with 1# bag and 2# bag.

## Surface Finish

Finish Processing Options: Internal: Mech Polished / Passivated  
 External: Mech Polished / Passivated / Abrasive Blasted

## Materials

Shell Options: 304 or 316L  
 Eyebolts: 304  
 Legs: 304  
 Seal Materials: FKM, EPDM

## Operating Conditions

Max. Operating Pressure: 1.0MPa (150psi)  
 Max. Operating Temperature: 80°C (176°F)

## Connection

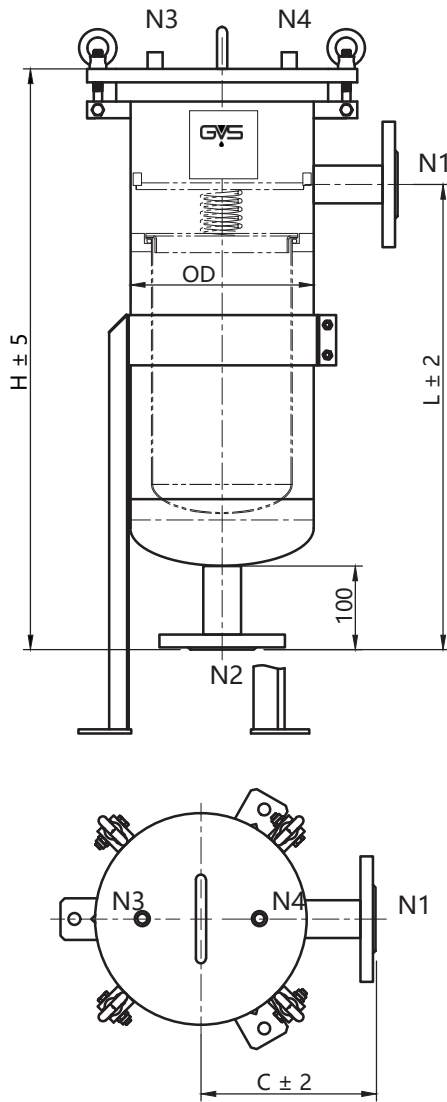
| Num | Name                      | Connection     | Note                |
|-----|---------------------------|----------------|---------------------|
| N1  | Inlet                     | FlangePL-RF/tc | HG/T20592-2009 PN16 |
| N2  | Outlet                    | FlangePL-RF/tc | HG/T20592-2009 PN16 |
| N3  | Vent                      | FNPT1/4"Thread | -                   |
| N4  | Pressure Gauge Connection | M14*1.5 Thread | -                   |

## Applications

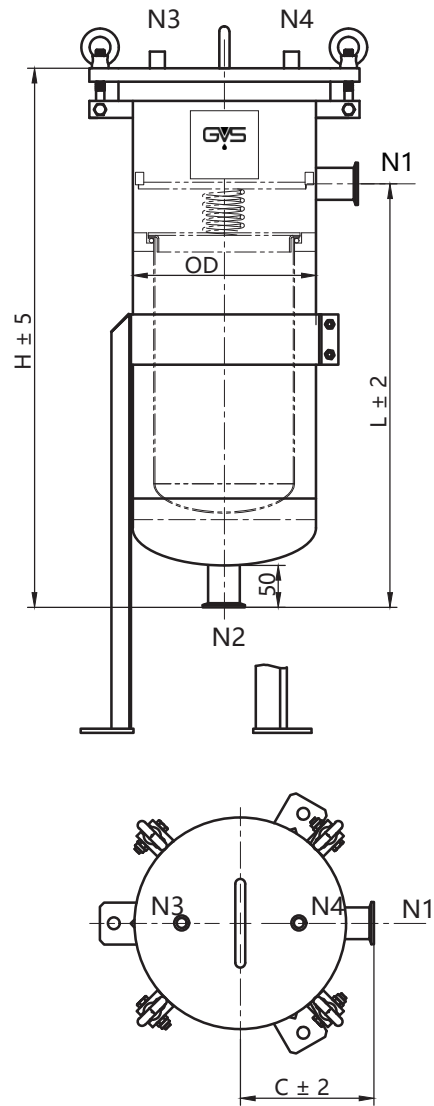
- Pre-filtration of RO systems, Bottled water production
- Filtration of process water, condensate water, cooling water, & waste water
- Chemical industry filtration of acids, alkaline liquids, & organic solvents
- Energy industry condensate & cooling waters

## Dimensions (mm)

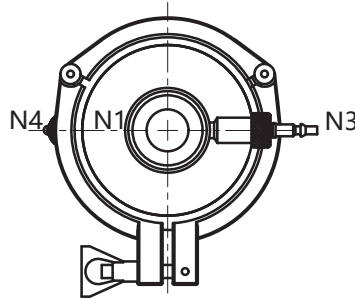
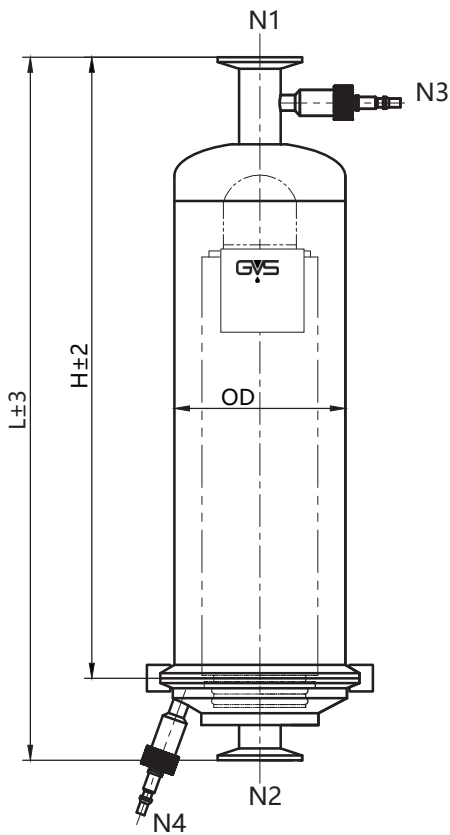
### Single-bag 1#Flange



### Single-bag 1#TC



| Mode (mm)           | H    | L    | P   | N     | C   | OD   |
|---------------------|------|------|-----|-------|-----|------|
| 1# Single-bag TC    | 645  | 505  | -   | 1.5"  | 150 | ø219 |
| 1#Single-bag Flange | 695  | 555  | -   | DN40  | 210 | ø219 |
| 2#Single-bag TC     | 1045 | 905  | -   | 2"    | 150 | ø219 |
| 2#Single-bag Flange | 1095 | 950  | -   | DN50  | 210 | ø219 |
| 2#2 bags Flange     | 1680 | 1120 | 400 | DN80  | 645 | ø406 |
| 2#3 bags Flange     | 1730 | 1140 | 420 | DN100 | 695 | ø456 |
| 2#4 bags Flange     | 1790 | 1170 | 450 | DN125 | 750 | ø508 |
| 2#5 bags Flange     | 1820 | 1180 | 460 | DN125 | 800 | ø558 |



| Housing length<br>(mm)<br>Cartridge length | <b>H</b> | <b>L</b> |
|--|----------|----------|
| 5"   | 238      | 288      |
| 10"  | 368      | 418      |
| 20"  | 618      | 668      |
| 30"  | 868      | 918      |
| 40"  | 1,118    | 1,168    |

Eg.=>CHDNJ0101T38SM MY

**ORDERING INFORMATION**

| Series          | Shell Material | Number Round | Filter Bag | Inlet&Outlet                        | Seal Material | Surface Finish (internal) | Surface Finish (external) |
|-----------------|----------------|--------------|------------|-------------------------------------|---------------|---------------------------|---------------------------|
| CHDN=Bag Filter | J=304          | 01=1         | 01=1#      | T38=TC 1.5"/(for Single-bag 1#)     | S=Silicone    | M=Mech. Polished          | M=Mech. Polished          |
|                 | K=316L         | 02=2         | 02=2#      | T50=TC 2"/ (forSingle-bag2#)        | E=EPDM        | P=Passivated              | P=Passivated              |
|                 |                | 03=3         |            | F40=Flange DN40/(for Single-bag 1#) | V=FKM         |                           | S=Abrasive Blasted        |
|                 |                | 04=4         |            | F50=Flange DN50/(for Single-bag 2#) |               |                           |                           |
|                 |                | 05=5         |            | F80=Flange DN80/(for 2 bags 2#)     |               |                           |                           |
|                 |                | 06=6         |            | F100=Flange DN100/(for 3 bags 2#)   |               |                           |                           |
|                 |                | 07=7         |            | F125=Flange DN125/(for 4/5 bags 2#) |               |                           |                           |
|                 |                | 08=8         |            |                                     |               |                           |                           |

# CHDSBC Series - Multi-Cartridge Liquid Filter Housings

## w/ Swing Bolt Closure



Manufactured of AISI304 or AISI316L stainless steel for high-purity industrial filtration requirements. The flexible design accommodates DOE, 222/FIN, and 222/FLAT style cartridges. They accept standard 2.5" to 2.85"OD filter cartridges in configurations of up to 50-around and up to 40" cartridge length.

This housing series offers a great many options for cartridge quantity, flow rate capacity, and porting. They're the standard choice to support higher flow rate applications with abundant options for cartridge media types and retention ratings.

## Features

- Rugged swing-bolt closure allows easy access for cartridge changes.
- Strengthened, welded legs provide a stable and durable installation.
- 150 psi (10 bar) operating pressure rating.
- Davit arm hand wheel features improved ease of operation (12 around and up).
- Can provide flow rates to 1,200 GPM and beyond.

## Applications

- Suitable for the broadest range of industrial applications from process fluid streams for water, aqueous solutions, oils, and fine chemicals
- Used in food and beverage production: filtration of juices, syrups, food ingredients, and bottled water

## Product Quality

- Manufactured within an ISO 9001:2015 certified quality management system.
- Certification of Quality document can be provided upon request.

## Materials of Construction

|                  |                                     |
|------------------|-------------------------------------|
| Shell Components | AISI304 or AISI316L Stainless Steel |
| Seal Options     | EPDM (standard), SILICONE, NBR, FKM |

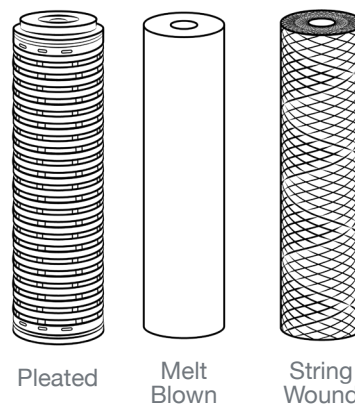
## Surface Finish

|                 |   |
|-----------------|---|
| Surface Quality | Glass beaded finish is standard Industrial electropolish option |
|-----------------|---|

## Operating Conditions

|                       |                    |
|-----------------------|--------------------|
| Operating Temperature | 121°C (250°F) max. |
| Design Pressure       | 10 bar (150 psi)   |

## Cartridge Type



End Cap



# CHDSBC Series - Multi-Cartridge Liquid Filter Housing

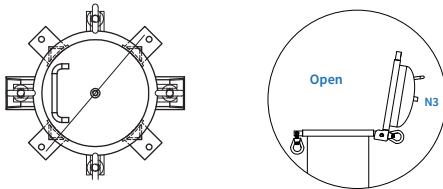
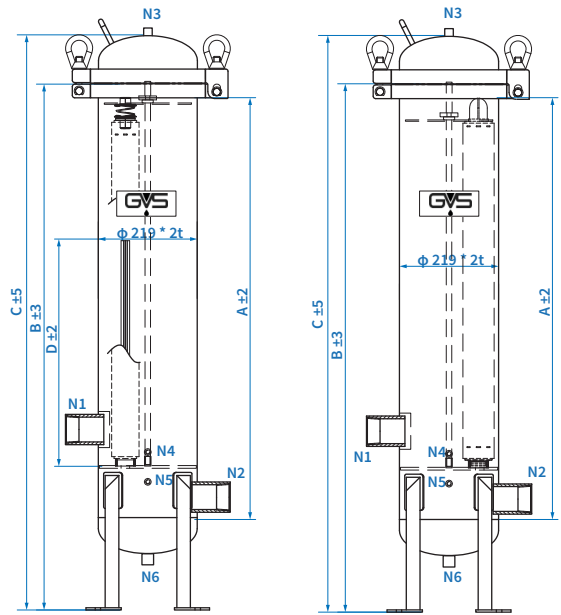


## Dimensions (mm)

### Industrial Cartridge Housing - 5X

| Num | Name   | Specification | Connection mode |
|-----|--------|---------------|-----------------|
| N1  | Inlet  | FNPT 2"       | Thread          |
| N2  | Outlet | FNPT 2"       |                 |
| N3  | Vent   | FNPT 1/4"     |                 |
| N4  | Gauge  | FNPT 1/4"     |                 |
| N5  | Gauge  | FNPT 1/4"     |                 |
| N6  | Drain  | FNPT 1/2"     |                 |

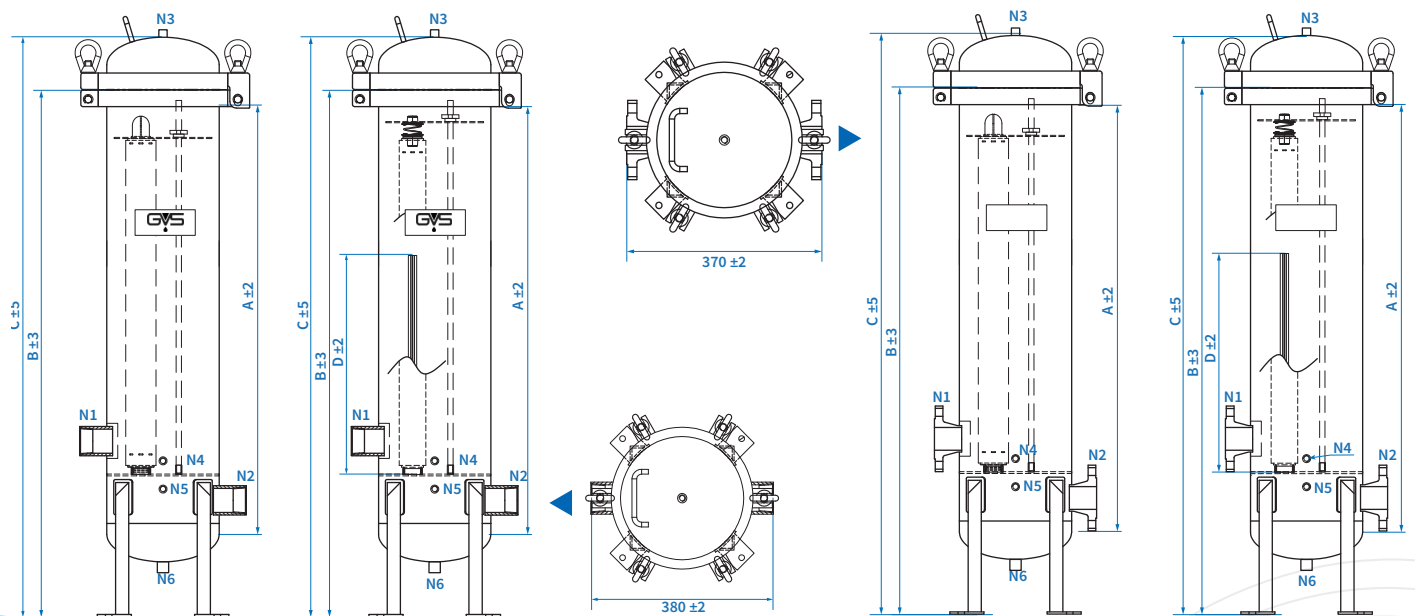
| Size | A    | B    | C    | D   |
|------|------|------|------|-----|
| 10"  | 430  | 665  | 770  | 120 |
| 20"  | 680  | 915  | 1020 | 247 |
| 30"  | 930  | 1165 | 1270 | 498 |
| 40"  | 1180 | 1415 | 1520 | 746 |



### Industrial Cartridge Housing - 7X

| Size | A    | B    | C    | D   |
|------|------|------|------|-----|
| 10"  | 450  | 700  | 820  | 120 |
| 20"  | 700  | 950  | 1070 | 247 |
| 30"  | 950  | 1200 | 1320 | 498 |
| 40"  | 1200 | 1450 | 1570 | 746 |

| Num | Material | Name   | Specification | Connection mode |
|-----|----------|--------|---------------|-----------------|
| N1  | 304      | Inlet  | FNPT 2"       | Thread          |
|     | 316L     | Outlet | WN50-150RF    | Flange          |
| N2  | 304      | Inlet  | FNPT 2"       | Thread          |
|     | 316L     | Outlet | WN50-150RF    | Flange          |
| N3  | 304/316L | Vent   | FNPT 1/4"     | Thread          |
| N4  |          | Gauge  | FNPT 1/4"     |                 |
| N5  |          | Gauge  | FNPT 1/4"     |                 |
| N6  |          | Drain  | FNPT 1/2"     |                 |

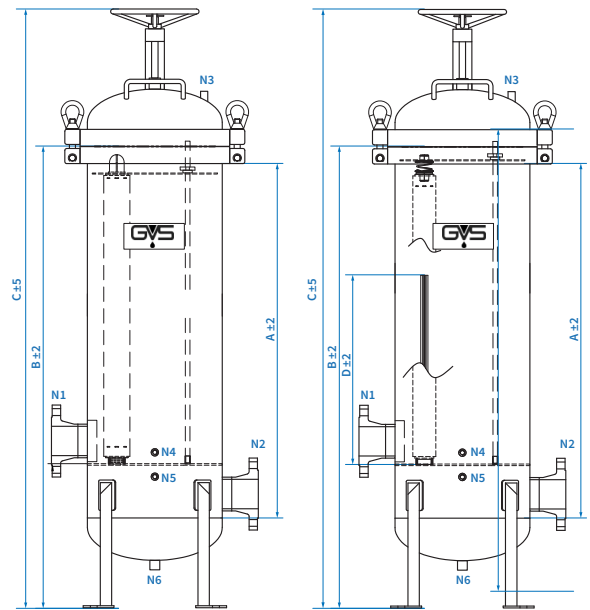


## Dimensions (mm)

### Industrial Cartridge Housing - 12X

| Num | Name   | Specification | Connection mode |
|-----|--------|---------------|-----------------|
| N1  | Inlet  | FNPT 2"       | Thread          |
| N2  | Outlet | FNPT 2"       |                 |
| N3  | Vent   | FNPT 1/4"     |                 |
| N4  | Gauge  | FNPT 1/4"     |                 |
| N5  | Gauge  | FNPT 1/4"     |                 |
| N6  | Drain  | FNPT 1/2"     |                 |

| Size | A    | B    | C    | D   |
|------|------|------|------|-----|
| 10"  | 430  | 665  | 770  | 120 |
| 20"  | 680  | 915  | 1020 | 247 |
| 30"  | 930  | 1165 | 1270 | 498 |
| 40"  | 1180 | 1415 | 1520 | 746 |



Eg.=>CHDSBC4120N304SEP

#### ORDERING INFORMATION

| Series | Ctg Qty | Cartridge Length | Main Ports       | Material      | Seals      | Options, Standard                           |
|--------|---------|------------------|------------------|---------------|------------|---|
| CHDSBC | 4       | 4 Cartridges     | 20N 2" FNPT      | 304 AISI304   | E EPDM     | <input type="checkbox"/> EP Electropolished |
|        | 5       | 5 Cartridges     | 30N 3" FNPT      | 316L AISI316L | B NBR      |   |
|        | 7       | 7 Cartridges     | 20F 2" RF FLANGE |               | S Silicone |   |
|        | 12      | 12 Cartridges    | 30F 3" RF FLANGE |               | V FKM      |   |
|        | 21      | 21 Cartridges    | 40F 4" RF FLANGE |               |            |   |
|        | 36      | 36 Cartridges    | 60F 6" RF FLANGE |               |            |   |
|        | 51      | 51 Cartridges    |                  |               |            |   |



## WORLDWIDE

### EUROPE

Italy Office  
Headquarters  
GVS S.p.A.  
Via Roma 50  
40069 Zola Predosa (BO) - Italy  
Tel. +39 051 6176311  
gvs@gvs.com

Russia  
GVS Russia LLC.  
Profsoyuznaya Street, 25-A, office 102  
117418, Moscow  
Russian Federation (Russia)  
Tel. +7 495 0045077  
gvsrussia@gvs.com

United Kingdom  
GVS Filter Technology UK  
Vickers Industrial Estate  
Mellishaw Lane, Morecambe  
Lancashire LA3 3EN  
Tel. +44 (0) 1524 847600  
gvsuk@gvs.com

Romania  
GVS Microfiltrazione srl  
Sat Ciorani de Sus 1E - Comuna Ciorani  
Prahova România  
Tel. (+40) 244 463044  
gvsro@gvs.com

Turkey  
GVS Türkiye  
Nidakule Merdivenköy Mahallesi  
Bora Sokak No:1 Kat:7 - 34732 Istanbul  
Tel. +90 216 504 47 67  
gvsturkey@gvs.com

### ASIA

China  
GVS Technology (Suzhou) Co., Ltd. Fengqiao  
Civil-Run Sci-Tech Park,  
602 Changjiang Road,S.N.D.  
Suzhou, China 215129  
Tel. +86 512 6661 9880  
gvschina@gvs.com

Japan  
GVS Japan K.K.  
KKD Building 4F, 7-10-12 Nishishinjuku  
Shinjuku-ku, Tokyo 160-0023 Japan  
Tel. +81 3 5937 1447  
gvsjapan@gvs.com

Korea  
GVS Korea Ltd  
#315 Bricks Tower  
368 Gyungchun-ro(Gaun-dong), Namyangju-  
si, Gyunggi-do,  
Tel: +82 31 563 9873  
gvsukorea@gvs.com

India  
GVS Filter India Pvt Ltd  
Unit No 35 & 36 on First Floor  
Ratna Jyot Industrial Premises Irla Lane, Irla  
Vile Parle, Mumbai 400056, India  
gvsindia@gvs.com

Malaysia  
GVS Filtration Sdn.Bhd  
Lot No 10F-2B, 10th Floor, Tower 5 @ PFCC  
Jalan Puteri 1/2, Bandar Puteri  
47100 Puchong, Selangor, Malaysia  
Tel: +60 3 7800 0062  
gvsmalaysia@gvs.com

Thailand  
GVS Thailand  
88 Ratchadaphisek Rd,  
Office 10E03 - Khlong Toei,  
Bangkok 10110  
Tel: +66 2163 4310  
gvs-thailand@gvs.com

### AMERICA

U.S.A.  
GVS North America  
63 Community Drive  
Sanford, ME 04073 - USA  
Tel. +1 866 7361250  
gvsusa@gvs.com

GVS Filtration Inc.  
2150 Industrial Drive  
Findlay, OH. 45840 - USA  
Tel. +1.419.423.9040  
gvsfiltration@gvs.com

2200 W 20th Avenue  
Bloomer, WI 54724 - USA  
Tel. +1.715.568.5944  
gvsfiltration@gvs.com

Puerto Rico  
GVS Puerto Rico, LLC  
98 Carr 194 - Fajardo,  
Puerto Rico, 00738-2988, USA  
Tel. +1.787.355.4100  
gvsuertorico@gvs.com

México  
GVS Filter Technology de Mexico  
Universal No. 550, Vynmsa Aeropuerto Apodaca  
Industrial Park, Ciudad Apodaca, Nuevo León, C.P.  
66626 - México  
Tel. +52 81 2282 9003  
gvs-mex@gvs.com

Argentina  
GVS Argentina S.A.  
Francisco Acuña de Figueroa 719 Piso:11 Of: 57  
1416 Buenos Aires - Argentina  
Tel. +54 11 48614750  
gvsarg@gvs.com

Brazil  
GVS do Brasil Ltda.  
Rodovia Conego Cyriaco Scaranello Pires 251  
Jardim Chapadão, CEP 13193-580  
Monte Mor (SP) - Brasil  
Tel. +55 19 38797200  
gvs@gvs.com.br

## PRODUCT COLLECTION-

### Housflow Catalog

Copyrights © 2024 GVS © S.p.A.  
All Right Reserved in Italy  
Printing History: Version 22112024

While every precaution has been taken in the preparation of this catalogue, data are subject to change without notice. Results in specific application of GVS products may vary according to the conditions and applications. GVS assumes no responsibility for damage resulting from incorrect use of our products.